

## Smart Thermostat Receiver

RCR114.1



**Smart Thermostat Receiver works with RDS110.R.**

- Mains-powered receiver AC 230 V
- Configurable via DIP switch
- Communicate with RDS110.R via Thread network
- Online firmware upgrade via Thread network

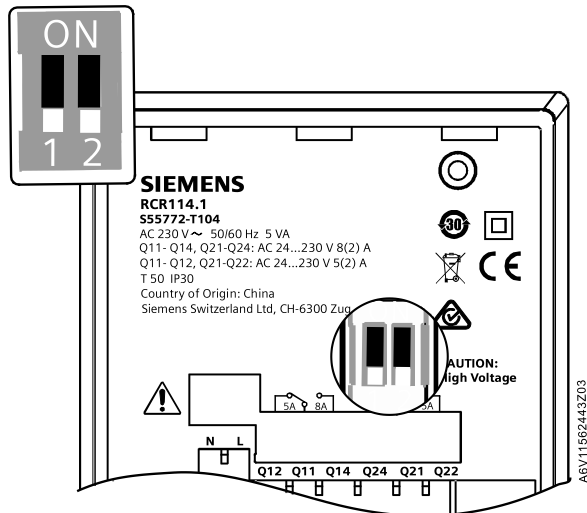
## Use

The RCR114.1 works as a router-eligible end device (REED) in the network created by RDS110.R.

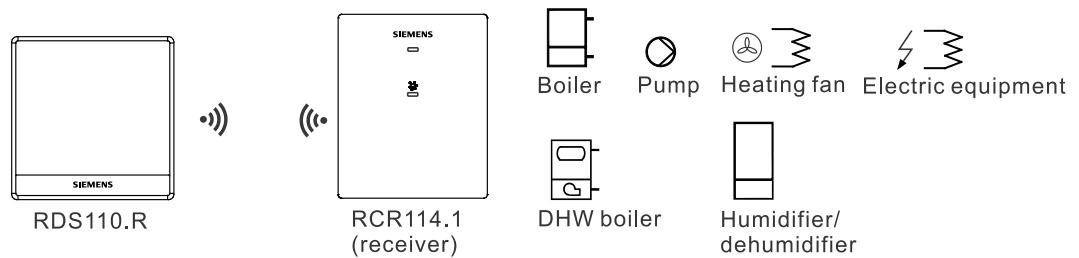
## Functions

RCR114.1 can be configured via the DIP switch on its backside to be a relay box or wireless repeater.

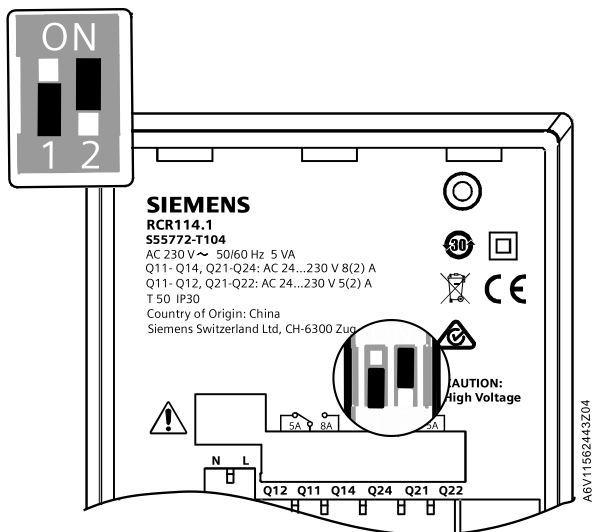
### Relay box



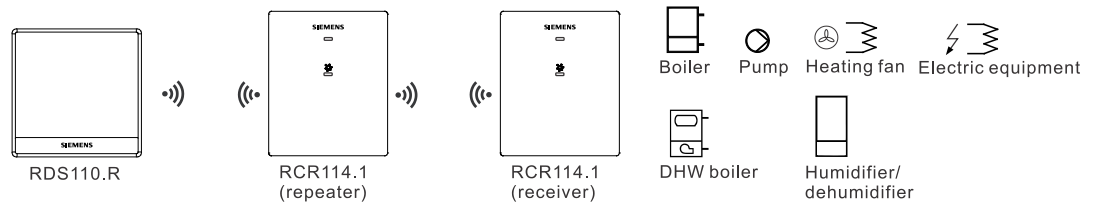
RCR114.1 is installed within the network coverage of RDS110.R.



### Wireless repeater



If RCR114.1 is installed too far away from RDS110.R, another RCR114.1 (works as a wireless repeater) should be added in between to extend the network coverage. See Mounting [→ 4] for details.



**Note:**

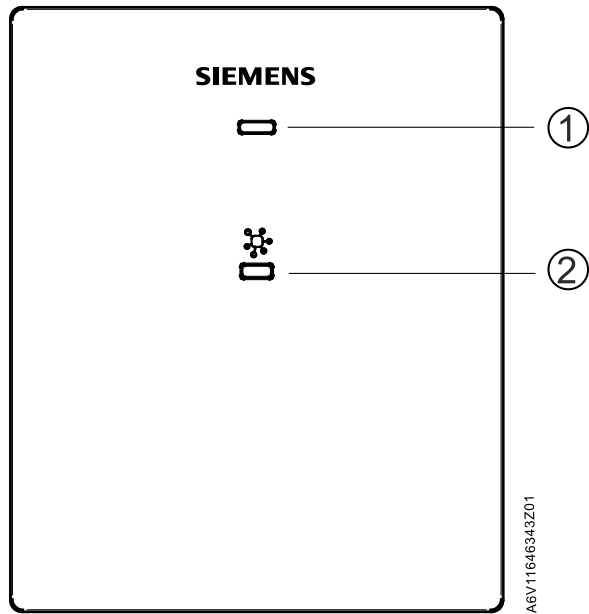
1. DIP switch 2 is reserved for internal use only.
2. One RDS110.R can pair up with at most 3 repeaters and 6 relays to extend the network coverage.
3. You cannot manually turn ON / OFF a RCR114.1.

**Mechanical design**

The RCR114.1 consists of 2 parts:

- Plastic housing which accommodates the electronics
- Mounting plate

**Operation and settings**



1	LED for indication of operating status
2	Button for user operation

**Type summary**

Type	Stock number	Description
RCR114.1	S55772-T104	Smart Thermostat Receiver

**Ordering**

When ordering, indicate product number, stock number and description.

## Equipment combinations

### Room thermostats

Product number	Stock number	Description
RDS110.R	S55772-T103	Smart Thermostat Wireless

### Wireless actuator

Product number	Stock number	Description
SSA911.01TH	S55181-A101	Radiator valve act. THREAD

Note: the RDS110.R cannot control a relay box and a valve actuator in parallel.

### Wireless receiver

Product number	Stock number	Description
RCR114.1	S55772-T104	Smart Thermostat Receiver


## Product documentation

Topic	Title	Document ID
Mounting and installation	Mounting instructions	A6V11562443
Startup wizard	Quick guide	A6V11562447
CE declaration		A6V11849464
Product environmental declaration		A6V11806767

Related documents such as environmental declarations, CE declarations, etc., can be downloaded at: <http://siemens.com/bt/download>.

## Notes

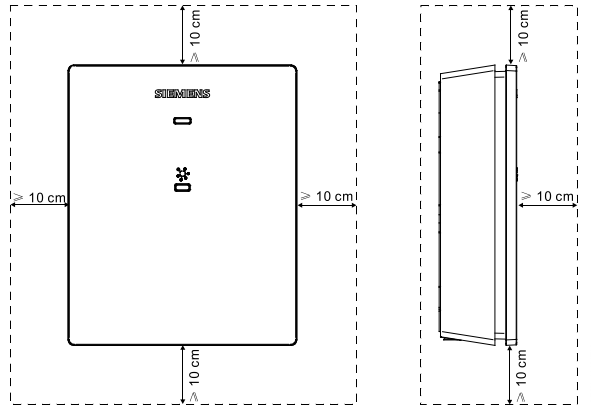
### Security

	<b>⚠ CAUTION</b>
	<b>National safety regulations</b> Failure to comply with national safety regulations may result in personal injury and property damage. <ul style="list-style-type: none"><li>• Observe national provisions and comply with the appropriate safety regulations.</li></ul>

### Mounting

- The device is suitable for wall mounting and surface mounting.
- Enclose the conductors in a conduit when surface mounting.
- Reserve sufficient free space for ventilation (refer to the following picture).
- Avoid direct solar radiation.
- Adhere to allowed ambient conditions.
- Install the receiver close to RDS110.R if possible. The communication range in a building is typically 60 m without any blockades. Please note that the range can vary as walls, floors, wireless interference and other factors may reduce the signal strength.

- Choose the location to ensure largely interference-free reception. When mounting the receiver, observe the following:
  - Do not mount in a control panel
  - Do not mount on metallic surfaces
  - Do not mount near 2.4 GHz wireless electronic devices such as PCs, WiFi routers, microwaves, etc.
  - Do not mount near constructional elements with fine metal or large metallic structures such as a distribution box



## Wiring

- The AC 230 V mains supply line must have an external circuit breaker with a rated current of no more than 10 A.
- Ensure that wiring, protection and earthing comply with local regulations.
- Adapt the line diameters as per local regulations to the rated value of the installed overcurrent protection device.
- Disconnect from power supply before removing the unit from its mounting plate.
- Make sure the receiver is not connected to power during wiring.

## Commissioning


### LED indication on RCR114.1

RCR114.1 has one LED to indicate its status.

Device status	LED status
Idle	Solid yellow
Connecting to RDS110.R	Flashing green
Successful connection	Solid green
Thread network works, but communication with RDS110.R failed <sup>1)</sup>	Flashing red
Thread network failure <sup>2)</sup>	Solid red
Factory reset	Alternating red and green

1. Reconnection is performed automatically or manually.
2. Reconnection can only be performed manually.

### Manual network reconnection

1. Check whether RDS110.R is powered on and in normal operation.
2. If the reconnection still fails, delete RCR114.1 in the device list of RDS110.R, then long press button  on RCR114.1 for 8 seconds and re-add RCR114.1 to the device list.

## Operation

---

RCR114.1 has one physical button for user operation.

Operation	Device action
Short press (if idle)	Join network and attempt binding
Short press (if connected)	Device identification
Short press (in other status)	No action
Long press	Factory reset to idle

## Maintenance

---

The receiver is designed for maintenance-free operation.

## Disposal

---



The device is considered an electronic device for disposal in accordance with the European Guidelines and may not be disposed of as domestic garbage.

- Dispose of the device through channels provided for this purpose.
- Comply with all local and currently applicable laws and regulations.

## Warranty

Technical data on specific applications are valid only together with Siemens products listed under **Equipment combinations**. Siemens rejects any and all warranties in the event that third-party products are used.

## Radio equipment directive

---

The equipment is using harmonized frequency in Europe, and complies with the Radio Equipment Directive (2014/53/EU, formerly 1999/5/EC).

## Technical data

Power supply	
Operating voltage	AC 230 V (+10/-15%)
Frequency	48...63 Hz
Power consumption	5 VA

Radio parameters	
Frequency band	2.4...2.4835 GHz
Maximum radio-frequency power	15 dBm
Thread standard	IEEE 802.15.4
Thread channel	11-26

Switching capacity of relays	
Voltage	AC 24...230 V
Current	Q11- Q12 Max. 5 A Q11- Q14 Max. 8 (2) A Q21- Q22 Max. 5 A Q21- Q24 Max. 8 (2) A



### **⚠ WARNING**

#### **No internal fuse.**

External preliminary protection with max. C 16 A circuit breaker in the supply lines required under all circumstances.

External protection for incoming cable	
Circuit breaker	Max. 16 A
Circuit breaker tripping characteristic	Type B, C or D to EN 60898 and EN 60947
Contact life at AC 230 V At 8 A res.	Guided value: 1 x 10 <sup>5</sup> cycles
Insulation strength	
Between relay contacts and coil	AC 5,000 V
Between relay contacts (same pole)	AC 1,000 V

Electrical connections	
Connection terminals	Screw terminals
For solid wires	2 x 1.5 mm <sup>2</sup>
For stranded wires	1 x 2.5 mm <sup>2</sup> (Min. 0.5 mm <sup>2</sup> )

Ambient conditions and protection classification	
Safety class as per EN60730	Class II
Degree of protection of housing as per EN 60529	IP30
Classification as per EN 60730	
Function of automatic control devices	Type 1
Operation altitude	< 3000 m
Degree of contamination	2
Overvoltage category	III

Ambient conditions and protection classification	
Climatic ambient conditions	
Transport (packaged for transport) as per EN 60721-3-2 Storage as per EN 60721-3-1 Operation as per EN 60721-3-3	Transport/ Storage: Temperature -25...60 °C (-13... 158 °F) Air humidity 5...95% r.h. (non-condensing) Operation: Temperature 0...50 °C (23... 122 °F) Air humidity 5...95% r.h. (non-condensing)
Mechanical ambient conditions	
Transport as per EN 60721-3-2 Operation as per EN 60721-3-3	Class 2M2 Class 3M2

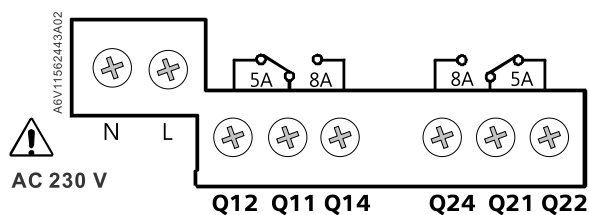
Standards, directives and approvals	
EU conformity (CE)	A6V11849464*)
RCM conformity	A6V11231674 *)
Environmental compatibility	The product environmental declaration A6V11806767*) contains data on environmentally compatible product design and assessments (RoHS compliance, materials composition, packaging, environmental benefit, disposal).

\*) The documents can be downloaded from <http://siemens.com/bt/download>.

General	
Receiver with package, user document and accessory	262 g
Receiver	174 g
Housing: RAL9003	

## Diagrams

### Connection terminals



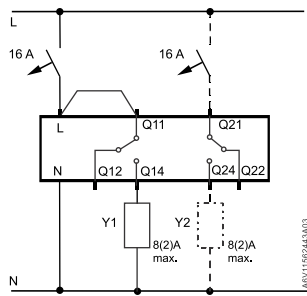
Terminal	Designation
L, N	Power supply, AC 230 V
Q11, Q21	Control input (com)
Q12, Q22	Control output, NC contact
Q14, Q24	Control output, NO contact

### Wiring diagrams

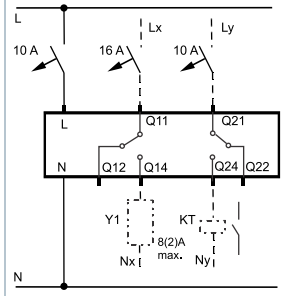
Example 1 illustrates a convenient wiring method (AC 230 V with bridge). If the load is not AC 230 V, refer to example 2.



**Example 1: Loads = AC 230 V**



**Example 2: Loads Y1, Y2 ≠ AC 230 V**

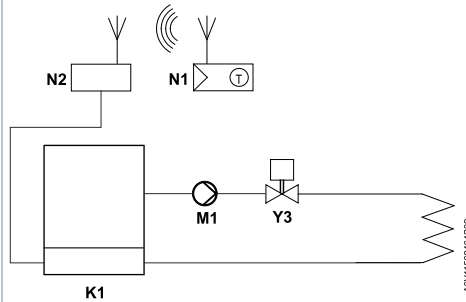


- Y1 HVAC equipment
- Y2 DHW / Dehumidifier / Humidifier
- KT Relay

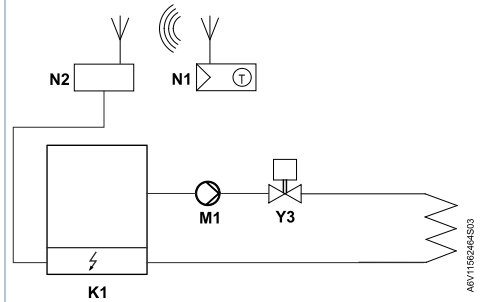
**Application examples**

**Applications**

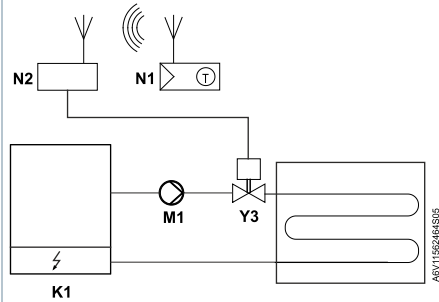
**Gas boiler**



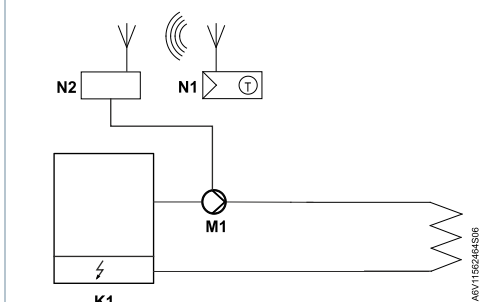
**Electric boiler**



**Floor heating with valve**

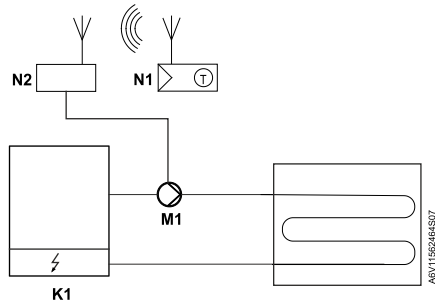


**Radiator with pump**

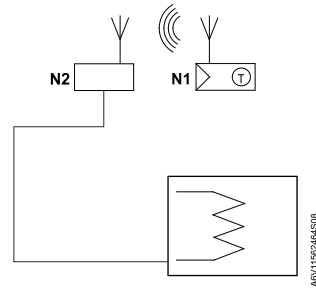


## Applications

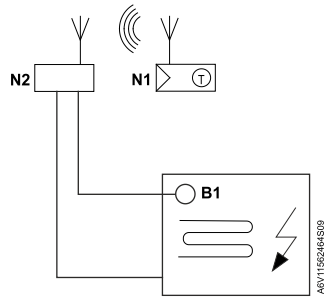
### Floor heating with pump



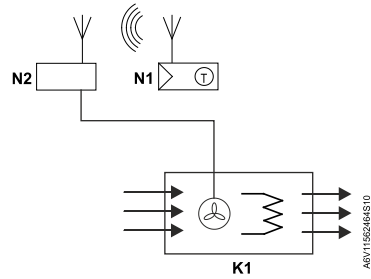
### Electric radiator



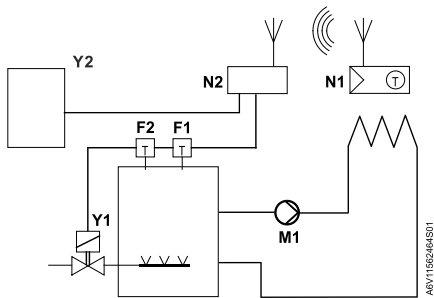
### Electric floor heating



### Fan with electric heating

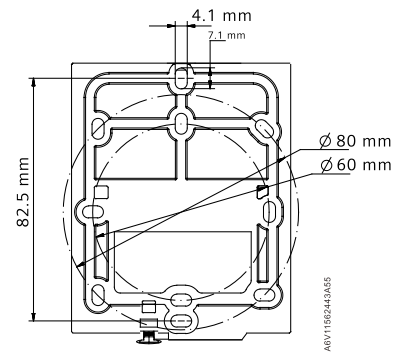
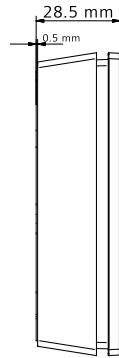
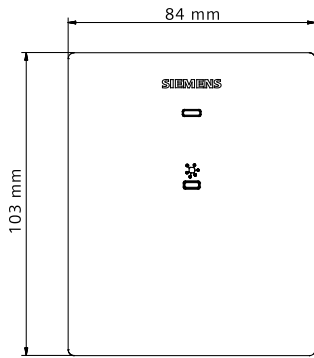


### Domestic hot water boiler



N1	RDS110.R
N2	RCR114.1
F1, F2	Limit thermostats
K1	Heat generator (e.g. boiler)
Y1	Magnetic valve
Y2	Domestic hot water boiler
Y3	Valve
M1	Circulating pump

# Dimensions



Issued by  
Siemens Switzerland Ltd  
Smart Infrastructure  
Global Headquarters  
Theilerstrasse 1a  
CH-6300 Zug  
Tel. +41 58 724 2424  
[www.siemens.com/buildingtechnologies](http://www.siemens.com/buildingtechnologies)

© Siemens Switzerland Ltd, 2019  
Technical specifications and availability subject to change without notice.